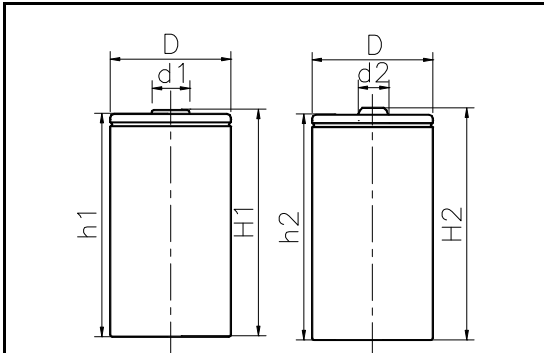


MODEL No: D8000

Description: 8000 mAh SIZE NI-MH D



Dimensions(without Tube) (mm)

D	32.10±0.10		
d ₁	10.00±0.08	d ₂	8.00±0.08
H ₁	59.00±0.50	H ₂	60.50±0.50
h ₁	58.50±0.50	h ₂	58.50±0.50

Specification

Nominal Capacity		8000 mAh	
Nominal Voltage		1.2 V	
Charge current	Standard	800 mA	
	Fast	2400 mA	
Charge time	Standard	16 Hrs	
	Fast	4 Hrs	
Ambient Temperature	Charge	Standard	0°C~45°C
		Fast	10°C~45°C
	Discharge		-20°C~60°C
Storage		-20°C~55°C	
Internal Impedance(mΩ) (After Charge)		≤ 9	
Weight		157.0 g	

