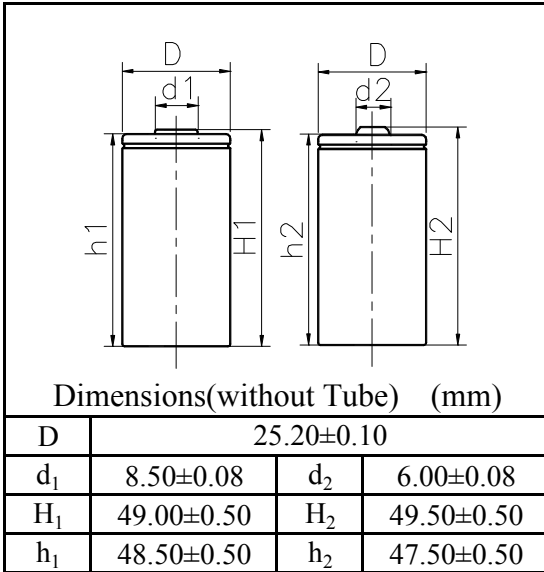


MODEL No: C4500

Description: 4500 mAh SIZE NI-MH C



Specification

Nominal Capacity		4500 mAh
Nominal Voltage		1.2 V
Charge current	Standard	450 mA
	Fast	1350 mA
Charge time	Standard	16 Hrs
	Fast	4 Hrs
Ambient Temperature	Charge	Standard 0°C~45°C
		Fast 10°C~45°C
	Discharge	-20°C~60°C
Storage		-20°C~55°C
Internal Impedance(mΩ) (After Charge)		≤ 14
Weight		84.0 g

