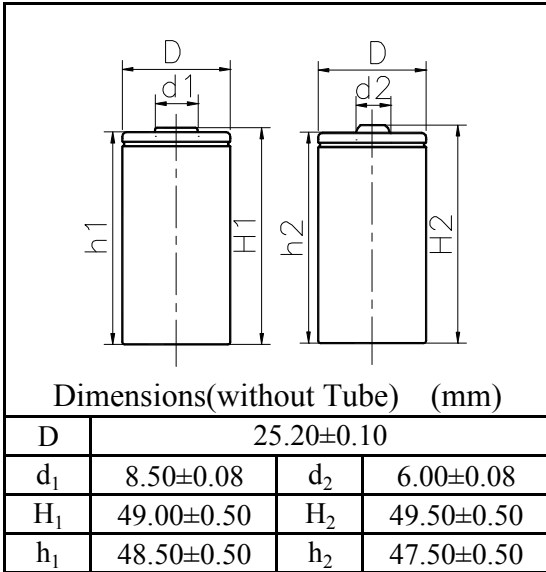


MODEL No: J-C3300

Description: 3300 mAh SIZE NI-MH C



Specification

Nominal Capacity		3300 mAh	
Nominal Voltage		1.2 V	
Charge current	Standard	330 mA	
	Fast	1650 mA	
Charge time	Standard	16 Hrs	
	Fast	2.4 Hrs	
Ambient Temperature	Charge	Standard	0°C~45°C
		Fast	10°C~45°C
	Discharge		-20°C~60°C
Storage		-20°C~55°C	
Internal Impedance(mΩ) (After Charge)		≤ 11	
Weight		77.0 g	

