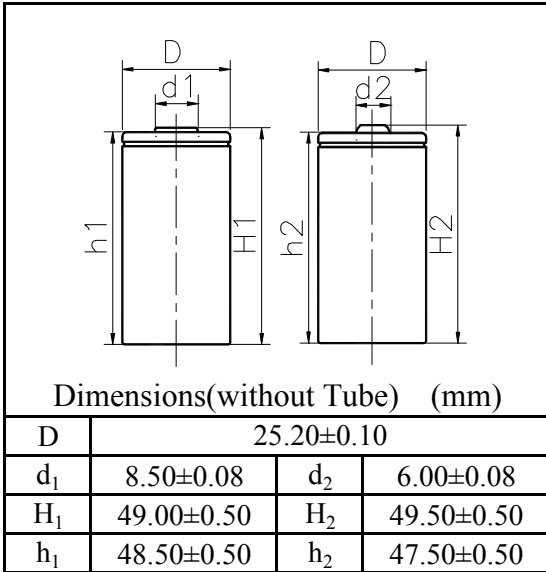


MODEL No: C2500

Description: 2500 mAh SIZE NI-MH C



Specification

Nominal Capacity		2500 mAh	
Nominal Voltage		1.2 V	
Charge current	Standard	250 mA	
	Fast	1250 mA	
Charge time	Standard	16 Hrs	
	Fast	2.4 Hrs	
Ambient Temperature	Charge	Standard	0°C~45°C
		Fast	10°C~45°C
	Discharge	-20°C~60°C	
	Storage	-20°C~55°C	
Internal Impedance(mΩ) (After Charge)		≤ 18	
Weight		62.0 g	

