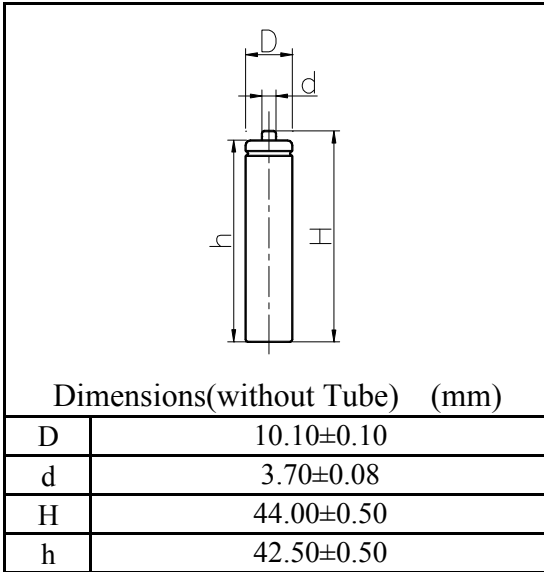


MODEL No: J-AAA900

Description: 900 mAh SIZE NI-MH AAA



Specification

Nominal Capacity		900 mAh
Nominal Voltage		1.2 V
Charge current	Standard	90 mA
	Fast	180 mA
Charge time	Standard	16 Hrs
	Fast	6 Hrs
Ambient Temperature	Charge	Standard 0°C~45°C Fast 10°C~45°C
	Discharge	-20°C~60°C
	Storage	-20°C~55°C
Internal Impedance(mΩ) (After Charge)		≤ 40
Weight		13.0 g

