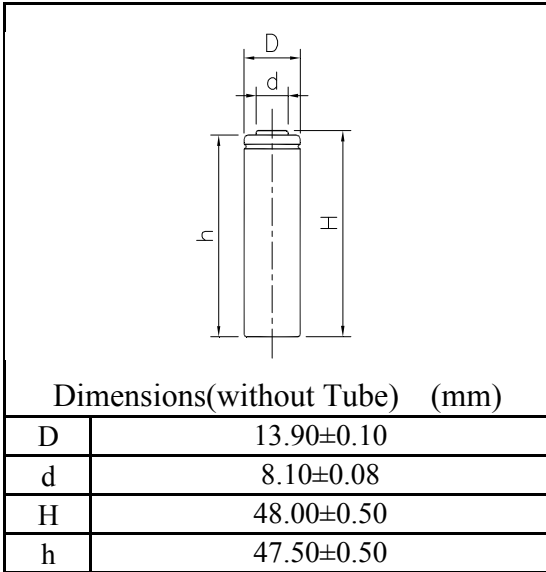


MODEL No: J-AA600

Description: 600 mAh SIZE NI-MH AA



Specification

Nominal Capacity		600 mAh
Nominal Voltage		1.2 V
Charge current	Standard	60 mA
	Fast	600 mA
Charge time	Standard	16 Hrs
	Fast	1.2 Hrs
Ambient Temperature	Charge	Standard Fast
	Discharge	0°C~45°C 10°C~45°C
	Storage	-20°C~60°C -20°C~55°C
Internal Impedance(mΩ) (After Charge)		≤ 30
Weight		18.5 g

