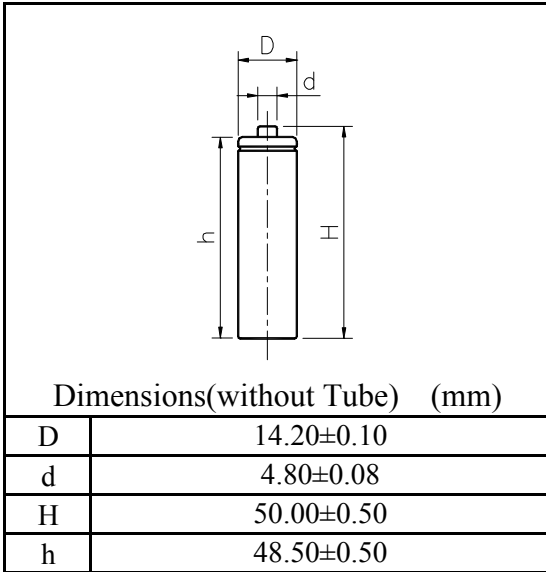


**MODEL No:** J-AA2600

**Description:** 2600 mAh SIZE NI-MH AA



**Specification**

Nominal Capacity		2600 mAh
Nominal Voltage		1.2 V
Charge current	Standard	260 mA
	Fast	520 mA
Charge time	Standard	16 Hrs
	Fast	6 Hrs
Ambient Temperature	Charge	Standard Fast
	Discharge	0°C~45°C 10°C~45°C
	Storage	-20°C~60°C -20°C~55°C
Internal Impedance(mΩ) (After Charge)		≤ 35
Weight		30.5 g

