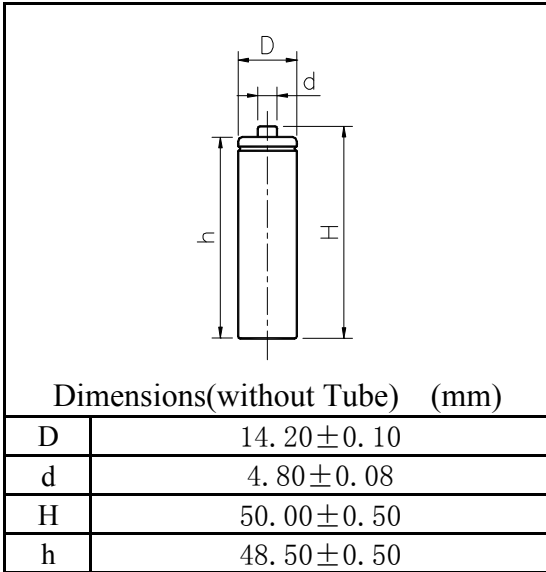


**MODEL No:** J-AA2500

**Description:** 2500 mAh SIZE NI-MH AA



**Specification**

Nominal Capacity		2500 mAh
Nominal Voltage		1.2 V
Charge current	Standard	250 mA
	Fast	500 mA
Charge time	Standard	16 Hrs
	Fast	6 Hrs
Ambient Temperature	Charge	Standard: 0°C~45°C Fast: 10°C~45°C
	Discharge	-20°C~60°C
	Storage	-20°C~55°C
Internal Impedance(mΩ) (After Charge)		≤ 35
Weight		30.0 g

