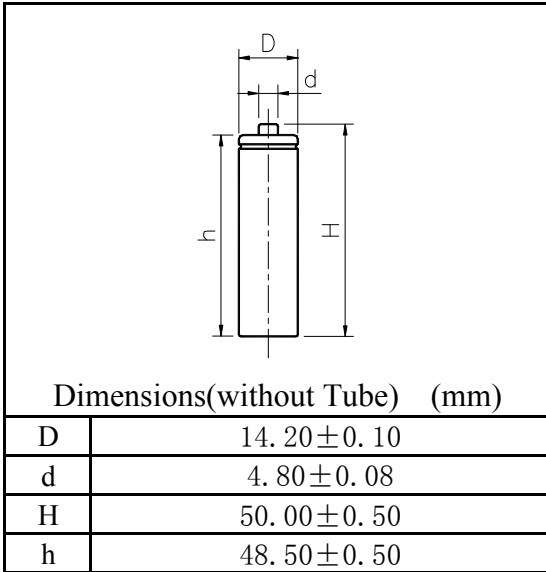


MODEL No: J-AA2400

Description: 2400 mAh SIZE NI-MH AA



Specification

Nominal Capacity		2400 mAh
Nominal Voltage		1.2 V
Charge current	Standard	240 mA
	Fast	720 mA
Charge time	Standard	16 Hrs
	Fast	4 Hrs
Ambient Temperature	Charge	Standard 0°C~45°C Fast 10°C~45°C
	Discharge	-20°C~60°C
	Storage	-20°C~55°C
Internal Impedance(mΩ) (After Charge)		≤ 35
Weight		29.5 g

