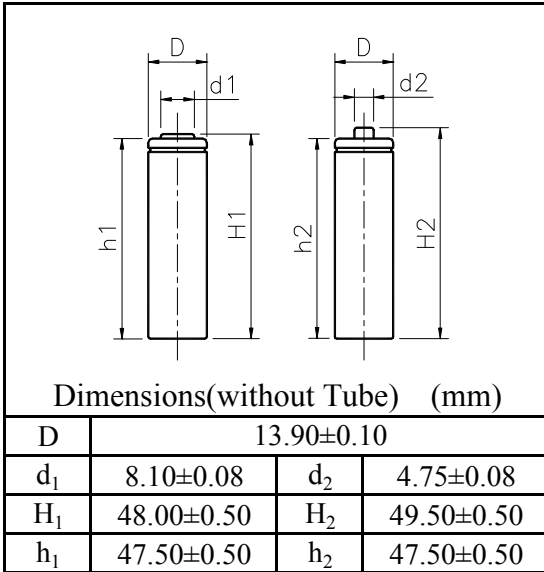


**MODEL No:** J-AA1300

**Description:** 1300 mAh SIZE NI-MH AA



**Specification**

|  |           |            |           |
|--|-----------|------------|-----------|
| Nominal Capacity                         |           | 1300 mAh   |           |
| Nominal Voltage                          |           | 1.2 V      |           |
| Charge current                           | Standard  | 130 mA     |           |
|  | Fast      | 1300 mA    |           |
| Charge time                              | Standard  | 16 Hrs     |           |
|  | Fast      | 1.2 Hrs    |           |
| Ambient Temperature                      | Charge    | Standard   | 0°C~45°C  |
|  |           | Fast       | 10°C~45°C |
|  | Discharge | -20°C~60°C |           |
|  | Storage   | -20°C~55°C |           |
| Internal Impedance(mΩ)<br>(After Charge) |           | ≤ 24       |           |
| Weight                                   |           | 24.0 g     |           |

