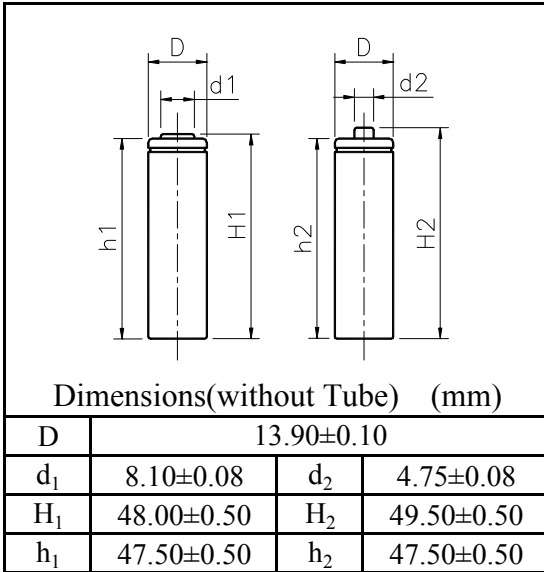


MODEL No: J-AA1000

Description: 1000 mAh SIZE NI-MH AA



Specification

Nominal Capacity		1000 mAh	
Nominal Voltage		1.2 V	
Charge current	Standard	100 mA	
	Fast	1000 mA	
Charge time	Standard	16 Hrs	
	Fast	1.2 Hrs	
Ambient Temperature	Charge	Standard	0°C~45°C
		Fast	10°C~45°C
	Discharge	-20°C~60°C	
	Storage	-20°C~55°C	
Internal Impedance(mΩ) (After Charge)		≤ 26	
Weight		22.0 g	

