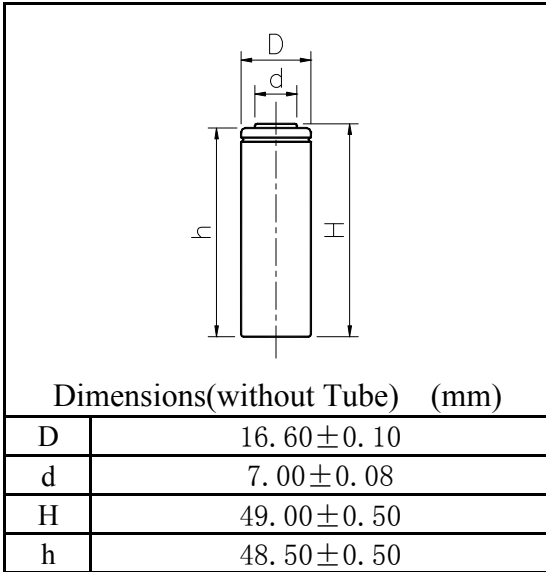


**MODEL No:** J-A2100

**Description:** 2100 mAh SIZE NI-MH A



**Specification**

Nominal Capacity		2100 mAh
Nominal Voltage		1.2 V
Charge current	Standard	210 mA
	Fast	630 mA
Charge time	Standard	16 Hrs
	Fast	4 Hrs
Ambient Temperature	Charge	Standard: 0°C~45°C Fast: 10°C~45°C
	Discharge	-20°C~60°C
	Storage	-20°C~55°C
Internal Impedance(mΩ) (After Charge)		≤ 20
Weight		35.0 g

