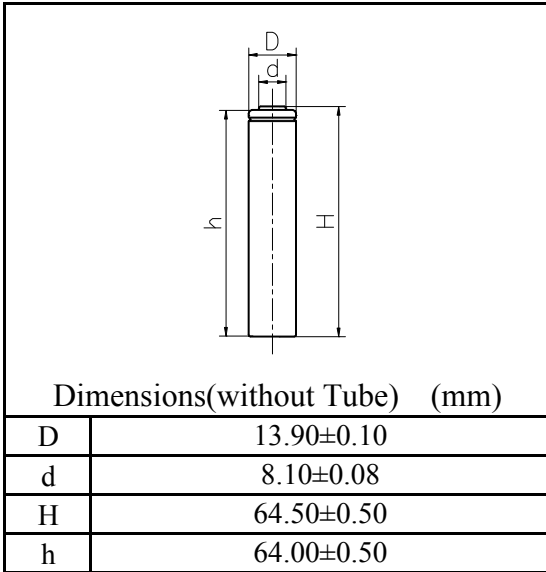


**MODEL No:** J-7/5AA2000

**Description:** 2000 mAh SIZE NI-MH AA



**Specification**

Nominal Capacity		2000 mAh
Nominal Voltage		1.2 V
Charge current	Standard	200 mA
	Fast	1000 mA
Charge time	Standard	16 Hrs
	Fast	2.4 Hrs
Ambient Temperature	Charge	Standard Fast
	Discharge	0°C~45°C 10°C~45°C
	Storage	-20°C~60°C -20°C~55°C
Internal Impedance(mΩ) (After Charge)		≤ 20
Weight		33.0 g

