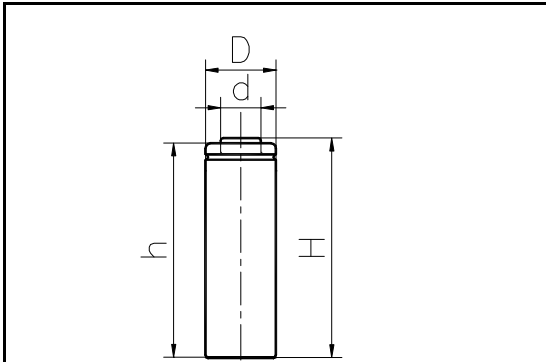


MODEL No: J-4/5AA1200

Description: 1200 mAh SIZE NI-MH AA



Dimensions(without Tube) (mm)

D	13.90±0.10
d	8.10±0.08
H	42.60±0.50
h	42.00±0.50

Specification

Nominal Capacity		1200 mAh
Nominal Voltage		1.2 V
Charge current	Standard	120 mA
	Fast	600 mA
Charge time	Standard	16 Hrs
	Fast	2.4 Hrs
Ambient Temperature	Charge	Standard Fast
	Discharge	0°C~45°C 10°C~45°C
	Storage	-20°C~60°C -20°C~55°C
Internal Impedance(mΩ) (After Charge)		≤ 24
Weight		23.0 g

