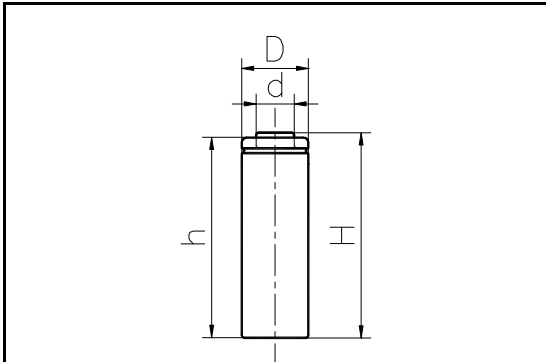


MODEL No: J-4/5A1800

Description: 1800 mAh SIZE NI-MH A



Dimensions(without Tube) (mm)

D	16.60±0.10
d	7.00±0.08
H	42.10±0.50
h	41.60±0.50

Specification

Nominal Capacity		1800 mAh
Nominal Voltage		1.2 V
Charge current	Standard	180 mA
	Fast	900 mA
Charge time	Standard	16 Hrs
	Fast	2.4 Hrs
Ambient Temperature	Charge	Standard 0°C~45°C Fast 10°C~45°C
	Discharge	-20°C~60°C
	Storage	-20°C~55°C
Internal Impedance(mΩ) (After Charge)		≤ 26
Weight		30.5 g

