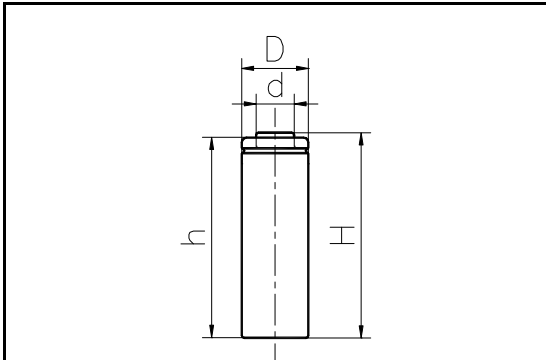


MODEL No: J-4/5A1500

Description: 1500 mAh SIZE NI-MH A



Dimensions(without Tube) (mm)

D	16.60±0.10
d	7.00±0.08
H	42.10±0.50
h	41.60±0.50

Specification

Nominal Capacity		1500 mAh
Nominal Voltage		1.2 V
Charge current	Standard	150 mA
	Fast	1500 mA
Charge time	Standard	16 Hrs
	Fast	1.2 Hrs
Ambient Temperature	Charge	Standard Fast
	Discharge	0°C~45°C 10°C~45°C
	Storage	-20°C~60°C -20°C~55°C
Internal Impedance(mΩ) (After Charge)		≤ 24
Weight		28.0 g

