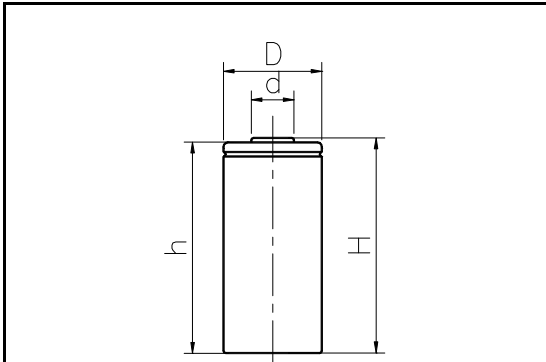


MODEL No: J-5/4SC3500

Description: 3500 mAh SIZE NI-MH SC



Dimensions(without Tube) (mm)

D	22.00±0.10
d	10.00±0.08
H	49.00±0.50
h	48.50±0.50

Specification

Nominal Capacity		3500 mAh
Nominal Voltage		1.2 V
Charge current	Standard	350 mA
	Fast	1050 mA
Charge time	Standard	16 Hrs
	Fast	4 Hrs
Ambient Temperature	Charge	Standard 0°C~45°C Fast 10°C~45°C
	Discharge	-20°C~60°C
	Storage	-20°C~55°C
Internal Impedance(mΩ) (After Charge)		≤ 10
Weight		64.0 g

