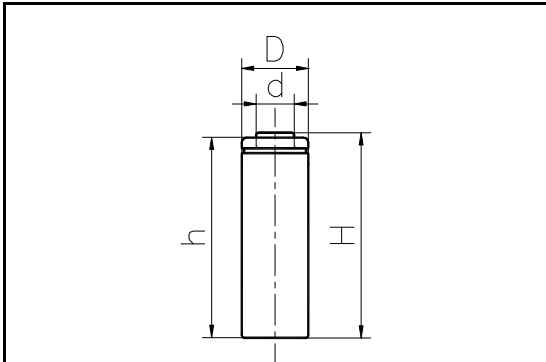


MODEL No: 4/5A2100

Description: 2100 mAh SIZE NI-MH A



Dimensions(without Tube) (mm)

D	16.60±0.10
d	7.00±0.08
H	42.10±0.50
h	41.60±0.50

Specification

Nominal Capacity		2100 mAh
Nominal Voltage		1.2 V
Charge current	Standard	210 mA
	Fast	1050 mA
Charge time	Standard	16 Hrs
	Fast	2.4 Hrs
Ambient Temperature	Charge	Standard 0°C~45°C Fast 10°C~45°C
	Discharge	-20°C~60°C
	Storage	-20°C~55°C
Internal Impedance(mΩ) (After Charge)		≤ 32
Weight		34.0 g

