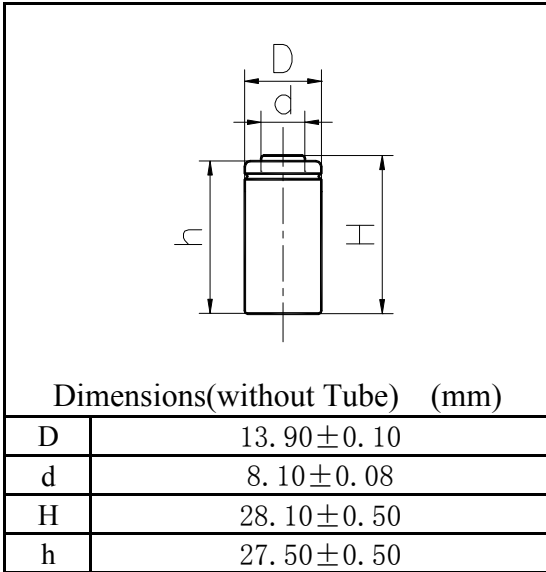


**MODEL No:** J-2/3AA300

**Description:** 300 mAh SIZE NI-MH AA



**Specification**

Nominal Capacity		300 mAh
Nominal Voltage		1.2 V
Charge current	Standard	30 mA
	Fast	300 mA
Charge time	Standard	16 Hrs
	Fast	1.2 Hrs
Ambient Temperature	Charge	Standard: 0°C~45°C Fast: 10°C~45°C
	Discharge	-20°C~60°C
	Storage	-20°C~55°C
Internal Impedance(mΩ) (After Charge)		≤ 45
Weight		10.0 g

