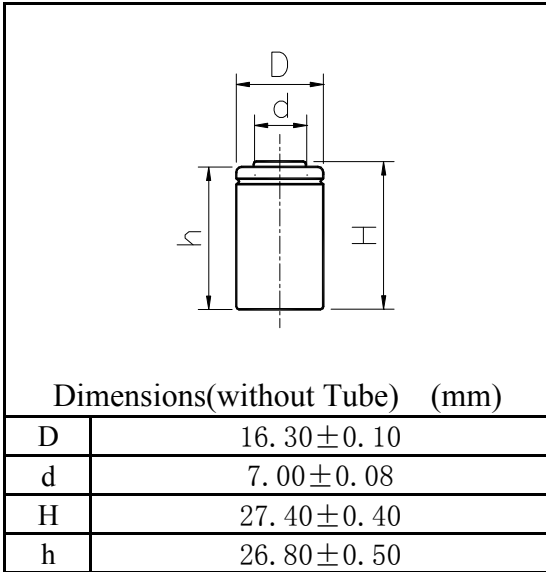


MODEL No: J-1/2A1000

Description: 1000 mAh SIZE NI-MH A



Specification

Nominal Capacity		1000 mAh
Nominal Voltage		1.2 V
Charge current	Standard	100 mA
	Fast	500 mA
Charge time	Standard	16 Hrs
	Fast	2.4 Hrs
Ambient Temperature	Charge	Standard 0°C~45°C
		Fast 10°C~45°C
	Discharge	-20°C~60°C
Storage		-20°C~55°C
Internal Impedance(mΩ) (After Charge)		≤ 45
Weight		19.0 g

