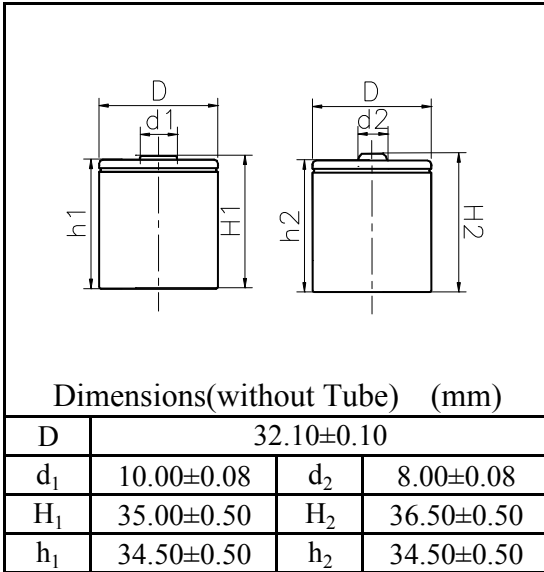


MODEL No: 1/2D3500

Description: 3500 mAh SIZE NI-MH D



Specification

Nominal Capacity		3500 mAh	
Nominal Voltage		1.2 V	
Charge current	Standard	350 mA	
	Fast	1750 mA	
Charge time	Standard	16 Hrs	
	Fast	2.4 Hrs	
Ambient Temperature	Charge	Standard	0°C~45°C
		Fast	10°C~45°C
	Discharge		-20°C~60°C
Storage		-20°C~55°C	
Internal Impedance(mΩ) (After Charge)		≤ 16	
Weight		83.0 g	

