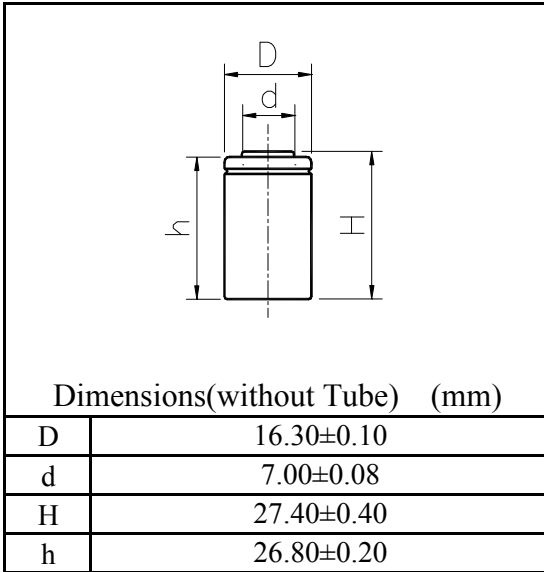


MODEL No: 1/2A1300

Description: 1300 mAh SIZE NI-MH A



Specification

Nominal Capacity		1300 mAh	
Nominal Voltage		1.2 V	
Charge current	Standard	130 mA	
	Fast	390 mA	
Charge time	Standard	16 Hrs	
	Fast	4 Hrs	
Ambient Temperature	Charge	Standard	0°C~45°C
		Fast	10°C~45°C
	Discharge		-20°C~60°C
Storage		-20°C~55°C	
Internal Impedance(mΩ) (After Charge)		≤ 35	
Weight		22.0 g	

