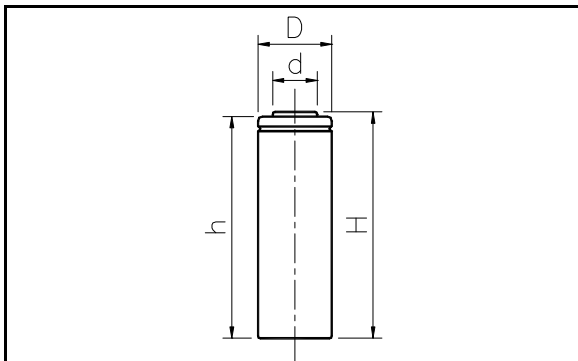


MODEL No: A1600

Description: 1600 mAh SIZE NI-Cd A



Dimensions(without Tube) (mm)

D	16.60±0.10
d	7.00±0.08
H	49.00±0.50
h	48.50±0.50

Specification

Nominal Capacity		1600 mAh	
Nominal Voltage		1.2 V	
Charge current	Standard	160 mA	
	Fast	800 mA	
Charge time	Standard	16 Hrs	
	Fast	2.4 Hrs	
Ambient Temperature	Charge	Standard	0°C~45°C
		Fast	10°C~45°C
	Discharge		-30°C~60°C
Storage		-20°C~60°C	
Internal Impedance(mΩ) (After Charge)		≤ 23	
Weight		31.5 g	

