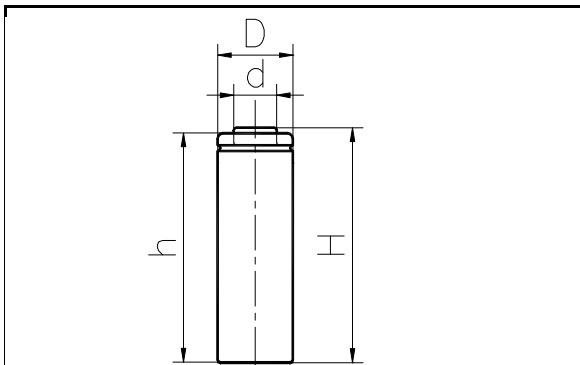


**MODEL No:** 4/5AA600

**Description:** 600 mAh SIZE NI-Cd AA



Dimensions(without Tube) (mm)

D	13.90±0.10
d	8.10±0.08
H	39.60±0.50
h	39.00±0.50

**Specification**

Nominal Capacity		600 mAh	
Nominal Voltage		1.2 V	
Charge current	Standard	60 mA	
	Fast	600 mA	
Charge time	Standard	16 Hrs	
	Fast	1.2 Hrs	
Ambient Temperature	Charge	Standard	0°C~45°C
		Fast	10°C~45°C
	Discharge		-30°C~60°C
Storage		-20°C~60°C	
Internal Impedance(mΩ) (After Charge)		≤ 28	
Weight		16.5 g	

