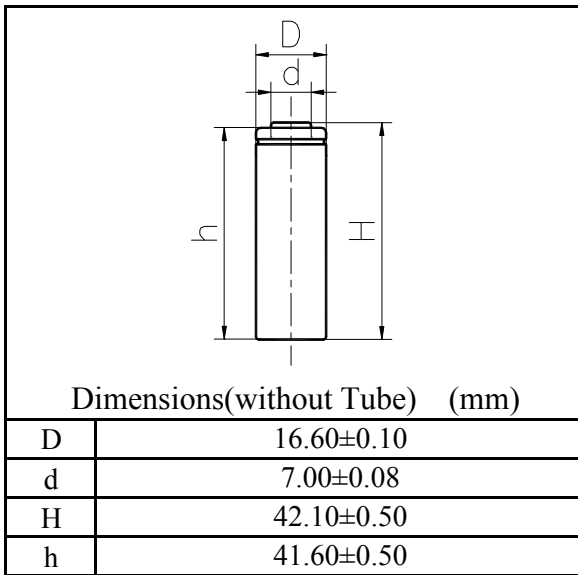


MODEL No: 4/5A1350

Description: 1350 mAh SIZE NI-Cd A



Specification

Nominal Capacity		1350 mAh	
Nominal Voltage		1.2 V	
Charge current	Standard	135 mA	
	Fast	675 mA	
Charge time	Standard	16 Hrs	
	Fast	2.4 Hrs	
Ambient Temperature	Charge	Standard	0°C~45°C
		Fast	10°C~45°C
	Discharge		-30°C~60°C
Storage		-20°C~60°C	
Internal Impedance(mΩ) (After Charge)		≤ 26	
Weight		27 g	

