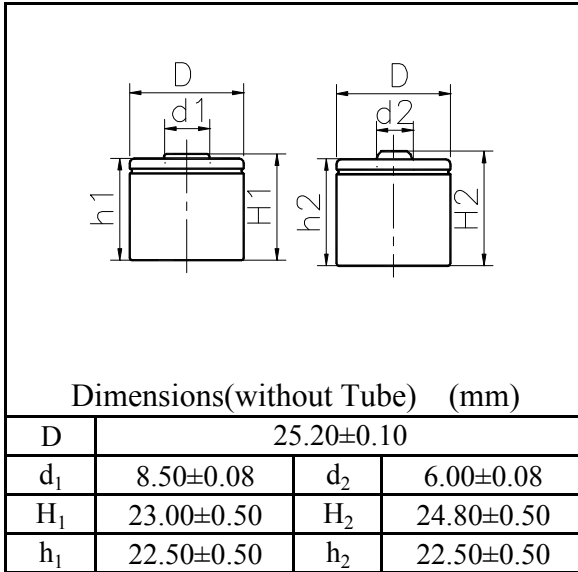


MODEL No: 1/2C750

Description: 750 mAh SIZE NI-Cd C



Specification

Nominal Capacity		750 mAh	
Nominal Voltage		1.2 V	
Charge current	Standard	75 mA	
	Fast	375 mA	
Charge time	Standard	16 Hrs	
	Fast	2.4 Hrs	
Ambient Temperature	Charge	Standard	0°C~45°C
		Fast	10°C~45°C
	Discharge		-30°C~60°C
Storage		-20°C~60°C	
Internal Impedance(mΩ) (After Charge)		≤ 33	
Weight		27 g	

